

**GPS Receiver Insertion Loss Test and Verification**

Model: XL-750

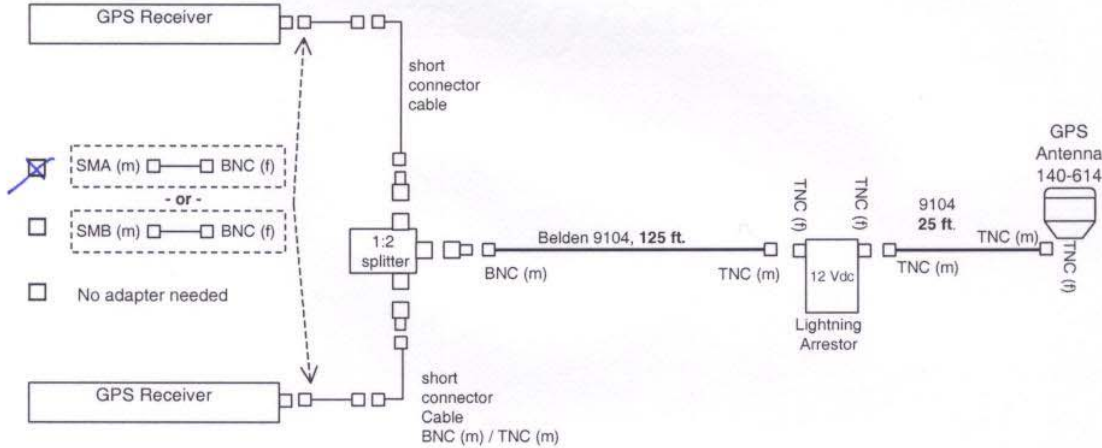
Tech.: R. Black

Pass   
 Fail

Part #: 1540-xxx

Date: 4-01-05

**150 Foot Insertion Loss Test – 2x GPS receivers (A&B), 1x Control GPS Receiver (C) not shown**  
 Control test: GPS Receiver, 150 ft. straight through cable, no Splitter, no Lightning Arrestor.

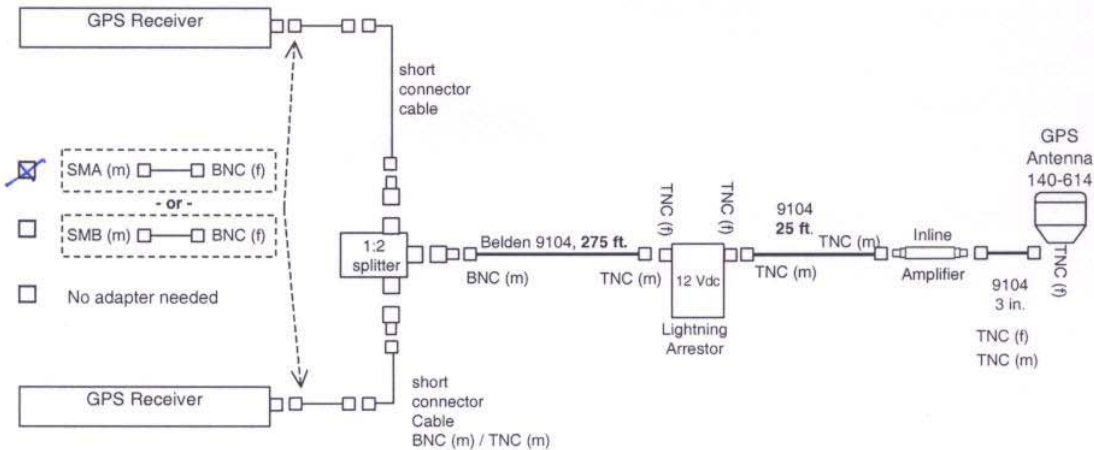


Satellites Locked: A  B  C

Satellites Tracked: A  B  C

Time Accurate: A  B  C

**300 Foot Insertion Loss Test – 2x GPS receivers (A&B), 1x Control GPS Receiver (C) not shown**  
 Control test: GPS Receiver, 300 ft. straight through cable, Inline Amplifier, no Splitter, no Lightning Arrestor.



Satellites Locked: A  B  C

Satellites Tracked: A  B  C

Time Accurate: A  B  C